

# LPB-24-58-NJ

Dual Band WiFi Antenna

PANORAMA ANTENNAS

21/10/2016 v1

Rugged low profile design  
Excellent bandwidth  
N female connector

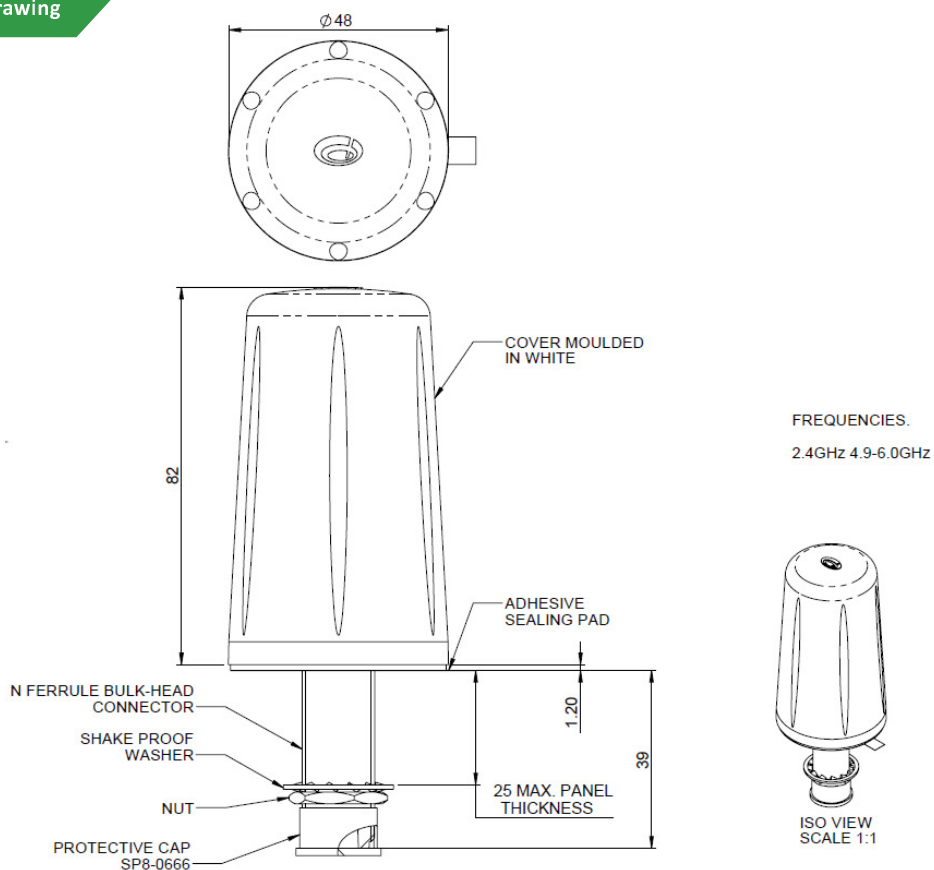


The Panorama LPB low profile antenna range has been designed to perform even in extreme environments. At only 82mm (3.22") high and protected by a robust high impact, flame retardant (halogen free) radome the antenna is almost impervious to daily wear, tear and impact.

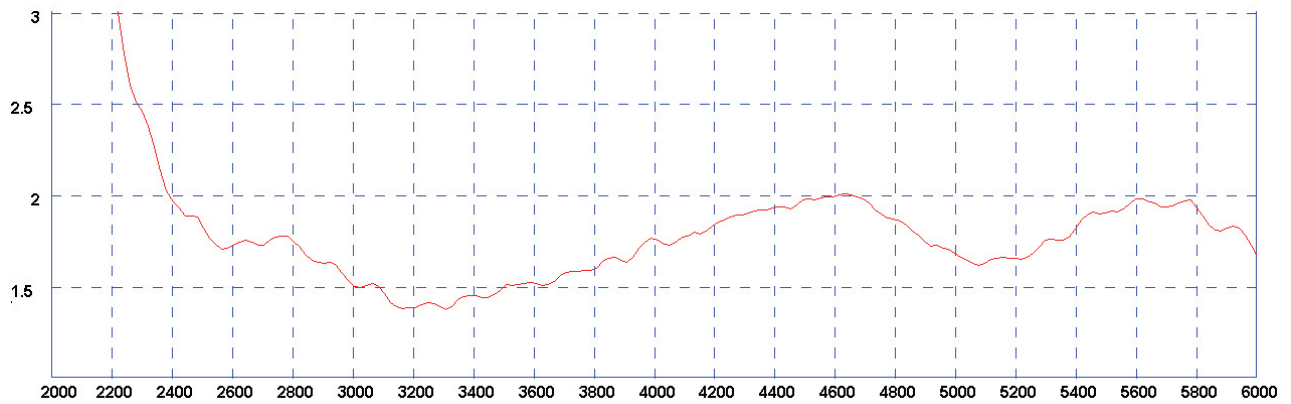
The LPB-24-58 offers excellent performance across a wide bandwidth. The antenna does not require a groundplane and covers WiFi frequencies across 2.4 and 5.0GHz as well as LTE band 22 - 3.4-3.6GHz making it an extremely versatile product.

Supplied with a convenient adhesive pad and a robust N female type connector the antenna is cost effective to install and adaptable to any install environment.

## Technical Drawing



Typical VSWR\*



\*All measurements taken in free space at N connector.

<b>Part No.</b>		LPB-24-58-NJ
<b>Electrical Data</b>		
Frequency Range (MHz)		2396-6000MHz
Operational Band		2.4/5.0GHz WiFi   3.5GHz LTE Band 22   4.9GHz Public Safety
Peak Gain: *	2.4GHz	4dBi
	5.0GHz	5dBi
VSWR		<2:1
Polarisation		Vertical
Pattern		Omni-directional
Impedance		50Ω
Max Input Power (W)		60
<b>Mechanical Data</b>		
Dimensions (mm)	Height	82 (3.22")
	Diameter	48 (1.89")
Operating Temp (°C)		-40°/+80°C ( -40°/176°F )
Material		PC/ASA
Colour		White
Flame Retardance		UL94-V0
<b>Mounting Data</b>		
Fixing		Panel mount
Hole Diameter (mm)		16 (5/8")
Max Panel Thickness (mm)		25(1")
<b>Connector Data</b>		
Type		N Female